



M-Flow product information

High-precision control valves for gases & liquids

Precise setting and tightly closing: High-precision control valves M-Flow

The control valves allow precise adjustment for gases and liquids and are available with different rotary knobs.

Tightly closing valves



The precisely adjustable needle valves are tight-closing

Aluminium or stainless steel

The bodies are available in anodized aluminium or stainless steel 1.4305*. Sealing material FKM, EPDM* or FFKM*.

*G1/4" only

3-year warranty*



High-quality components ensure long and trouble-free operation

*does not apply to options and accessories



M-Flow 25

Digiturn rotary knob with display,
100 division

Various rotary knobs



Standard knob



Standard knob with locking ring



Hexagon socket locking nut
(instead of standard knob)

Technical specifications high-precision control valves M-Flow

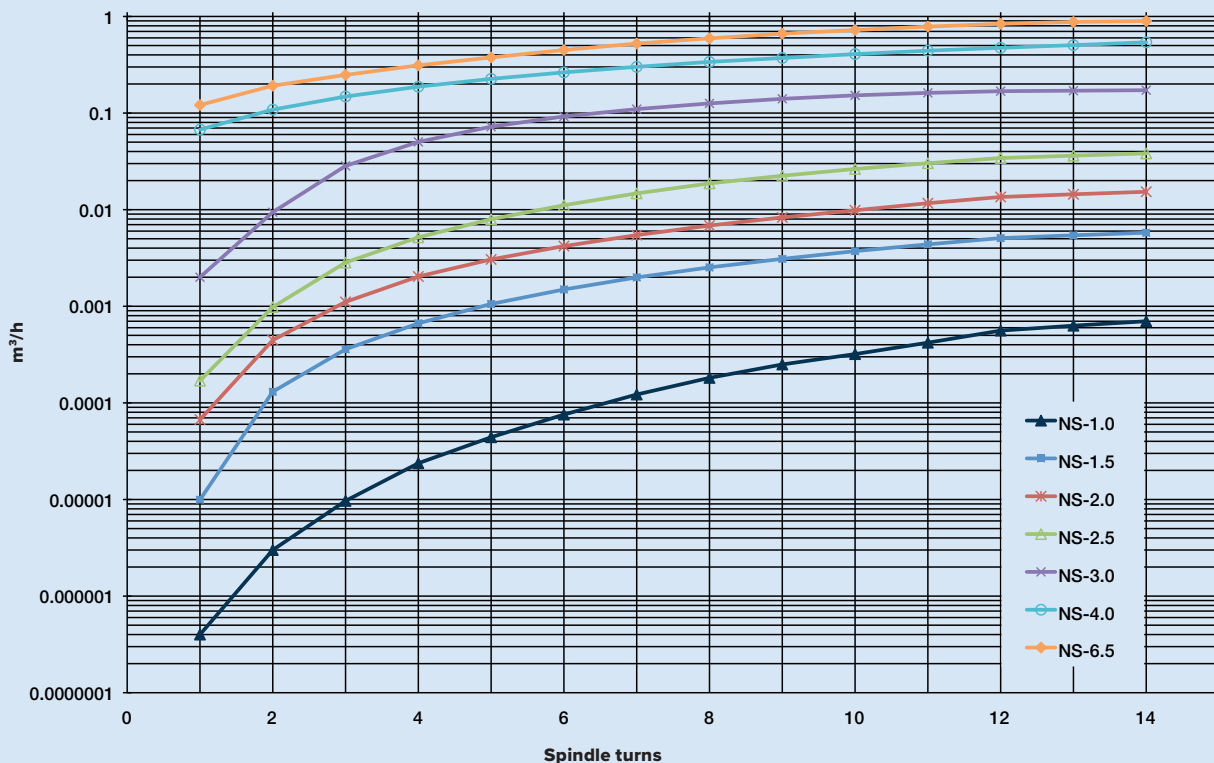
Instrument versions

Construction	Compact, modular construction
Setup	Straight valve or valve cartridge (for customer-specific integration)
Adjustment	<ul style="list-style-type: none"> – Precisely adjustable, 15-turn micro valve, practically hysteresis-free – Different Kv-values for optimum control ranges – Non-rotating valve needles for stable settings
Knob	4 different variants are available: <ul style="list-style-type: none"> – Standard knob – Standard knob with locking ring – Hexagon socket locking nut (instead of standard knob) – Digiturn knob with display, 100 division
Connection	Female connection suitable for mounting with compression fittings (SL)
Kv-values	Different Kv-values for optimum control ranges
Test	Each M-Flow valve is tested and controlled
Custom solutions	We provide customer-specific valve versions

Technical data

	M-Flow 25	M-Flow 35
Connection	G 1/4"	G 1/2"
Body material	Anodized aluminium or stainless steel 1.4305	Anodized aluminium
Seals material	FKM, EPDM or FFKM	FKM
Straight valve	●	●
Valve cartridge	●	●
Cw-closed	●	●
Leak rate	< 1 x 10 ⁻⁵ mbar l/s He	< 1 x 10 ⁻⁵ mbar l/s He
Max. pressure	40 bar	40 bar
Temperature range	-40 °C to 100 °C	-40 °C to 100 °C

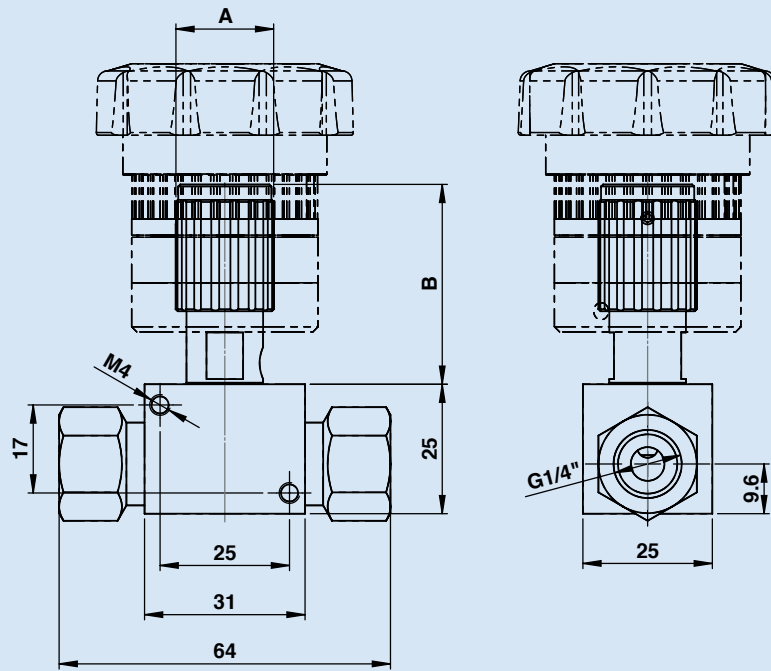
Kv-values high-precision control valves M-Flow (air)



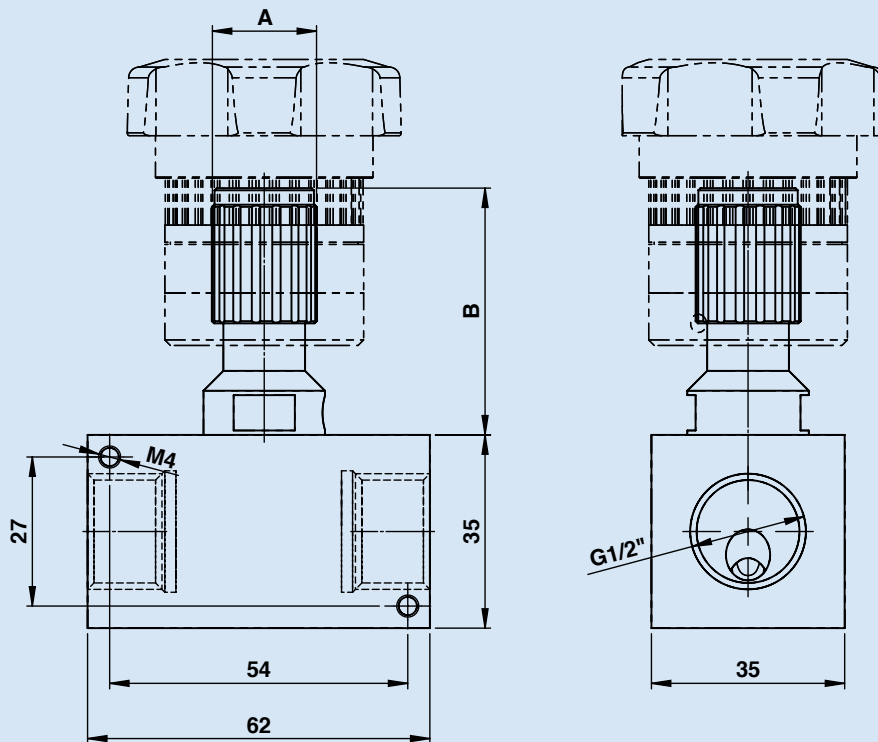
Optional NS-1.0 special setting: Opening point flow < 1 ml/min at DP of 3 bar

Dimensions high-precision control valves M-Flow

M-Flow 25 (G1/4")



M-Flow 35 (G1/2")



Dimensions rotary knob (mm)

	M-Flow 25 (G1/4")		M-Flow 35 (G1/2")	
	A	B	A	B
Standard knob	ø19	39	ø19	45
Standard knob with locking ring	ø20	39	ø20	45
Digiturn with display, 100 division	ø50	62	ø50	68
Hexagon socket locking nut (instead of standard knob)	ø15	37	ø15	43

Type code high-precision control valves M-Flow

		F	L	M						
Instrument type	M-Flow									
Instrument size	25									A
	35									B
Materials (body, seals)	Anodized aluminium / Brass , FKM*									S
	Stainless steel 1.4305, FKM									E
	Stainless steel 1.4305, EPDM									T
	Stainless steel 1.4305, FFKM									W
	Customer-specific/OEM									K
Setup	Straight valve*									S
	Valve cartridge (without body)									O
	Kundenspezifisch/OEM									K
Valve (rotating direction)	Valve cw-close*									S
	Customer-specific/OEM									K
Process connection (in- and outlet)	G 1/4" female (for compression fittings)									C
	G 1/2" female									S
	Customer-specific/OEM									K
Valve size	NS-1.0 (Type 25)									A
	NS-1.5 (Type 25)									B
	NS-2.0 (Type 25)									C
	NS-2.5 (Type 25)									D
	NS-3.0 (Type 25)									E
	NS-4.0 (Type 35)									F
	NS-6.5 (Type 35)									G
	Customer-specific/OEM									K
Options	Locking ring (for standard knob)									A
	Locking nut (instead of standard knob)									B
	Digiturn									C
	Star grip for digiturn									D
	Customer-specific/OEM									K
Type code		F	L	M	-				-	-

*Standard

Our specialists will be happy to advise: **+41 61 756 63 00** or www.voegtlin.com

Worldwide TASI Flow Network



Vögtlin Sales & Service Hub North America:

AW-Lake Company

2440 W. Corporate Preserve Dr. #600
Oak Creek, WI 53154, USA

Phone +1 414 574 4300

Fax +1 414 574 4301

info@aw-lake.com

www.aw-lake.com

International Headquarter:

Vögtlin Instruments GmbH

Langenhagstrasse 1
4147 Aesch BL, Switzerland

Phone +41 61 756 63 00

Fax +41 61 756 63 01

info@voegtlin.com

www.voegtlin.com

Vögtlin Sales & Service Hub China:

KEM flow technology (Beijing) Co., Ltd.

Rm. 906, Block C, RuiPu Office Bldg,
No. 15, HongJunYingNan Road,
Chaoyang District, Beijing 100012, China

Phone +86 10 849 29567

info@kem-kueppers.cn

www.voegtlin.cn

Find your local Vögtlin sales partner on our website:

www.voegtlin.com



Vögtlin Instruments GmbH – gas flow technology

Langenhagstrasse 1 | 4147 Aesch (Switzerland)

Phone +41 61 756 63 00 | Fax +41 61 756 63 01

www.voegtlin.com | info@voegtlin.com

vögtlin 
instruments